



# TANKS DAL BARCO

We are pleased to inform you that from January 2020 our tanks range will be updated with:

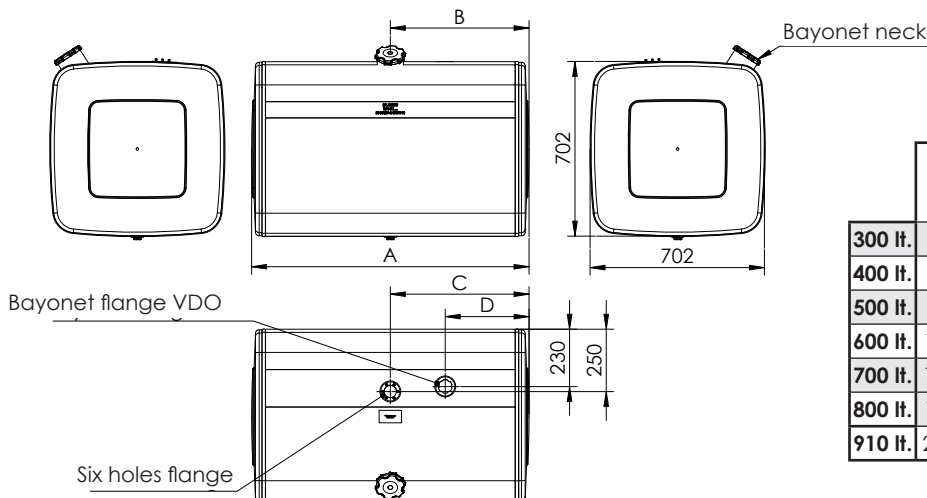
- oversized fuel tanks series FAM.BI
- multifittings oil tanks series JOLLY I
- oil/fuel tanks series KOMBI I.

## Oversized fuel tanks Fam. BI (700x700):

COATED STEEL (RAL 7021)				
Filling capacity	Tank code	Weight	Tank+kit code	Weight
		Kg		Kg
300	HCGLBI06510	36,3	HCGLBI06530	63,9
400	HCGLBI09010	45,2	HCGLBI09030	72,8
500	HCGLBI11010	54,7	HCGLBI11030	82,3
600	HCGLBI13010	61,8	HCGLBI13030	89,4
700	HCGLBI15510	73	HCGLBI15530	114,3
800	HCGLBI17510	80,2	HCGLBI17530	121,5
910	HCGLBI20010	89	HCGLBI20030	130,3

STAINLESS STEEL				
Filling capacity	Tank code	Weight	Tank+kit code	Weight
		Kg		Kg
300	HCXLBIO6510	36,3	HCXLBIO6530	63,9
400	HCXLBIO9010	45,2	HCXLBIO9030	72,8
500	HCXLBII1010	54,7	HCXLBII1030	82,3
600	HCXLBII3010	61,8	HCXLBII3030	89,4
700	HCXLBII5510	73	HCXLBII5530	114,3
800	HCXLBII7510	80,2	HCXLBII7530	121,5
910	HCXLBII20010	89	HCXLBII20030	130,3

ALUMINIUM				
Filling capacity	Tank code	Weight	Tank+kit code	Weight
		Kg		Kg
300	HCALBI06510	17,7	HCALBI06530	45,3
400	HCALBI09010	22	HCALBI09030	49,6
500	HCALBI11010	28,7	HCALBI11030	56,3
600	HCALBI13010	32,2	HCALBI13030	59,7
700	HCALBI15510	39,7	HCALBI15530	81
800	HCALBI17510	43,2	HCALBI17530	84,5
910	HCALBI20010	47,5	HCALBI20030	88,8



	A	B	C	D
	mm	mm	mm	mm
300 lt.	660	330	405	205
400 lt.	910	455	455	255
500 lt.	1110	555	555	335
600 lt.	1310	555	555	385
700 lt.	1560	555	555	385
800 lt.	1760	555	555	385
910 lt.	2010	555	555	385

### Mounting kit ordering code:

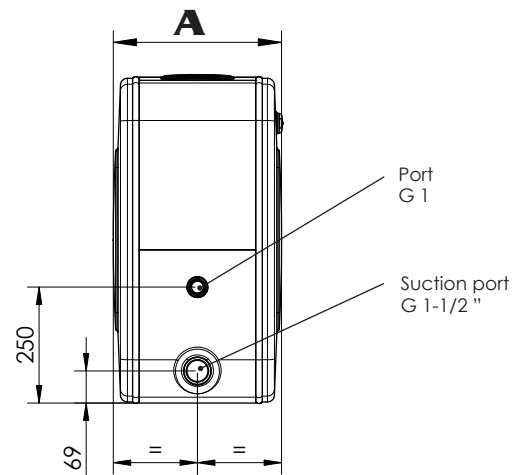
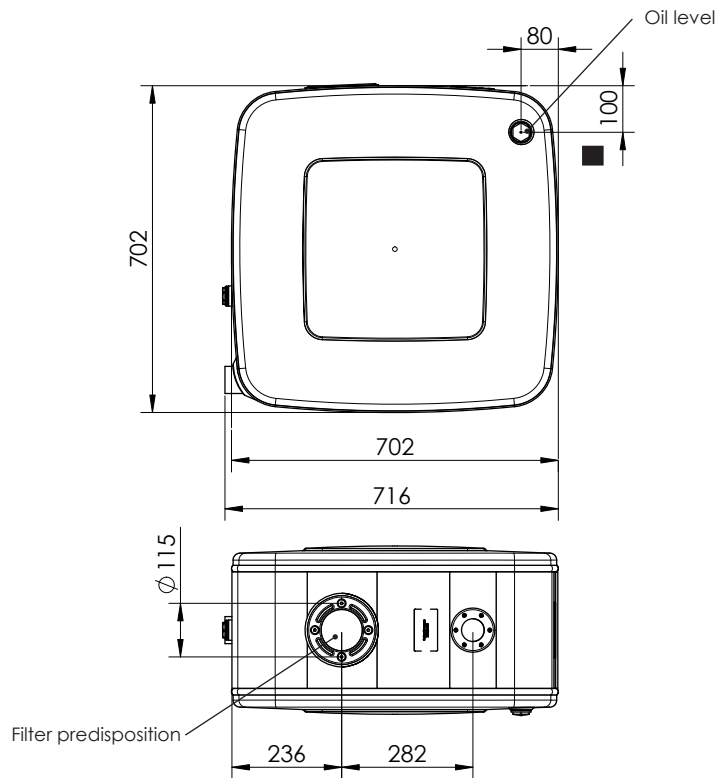
- 135903BILG1** Fixing kit with coated steel straps
- 135903BILG2** Fixing 3 kit with coated steel straps (only 700/900/910 lt)
- 135903BILX1** Fixing kit with stainless steel straps
- 135903BILX2** Fixing 3 kit with stainless steel straps (only 700/900/910 lt)

## Multifittings oil tanks JOLLY I (700x700):

ALUMINIUM		
Filling capacity	Tank code	Weight
		Kg
150	H1ANBI03540	16,3
180	H1ANBI04040	17,2
200	H1ANBI04540	18
225	H1ANBI05040	18,9
250	H1ANBI05540	19,8

COATED STEEL (RAL 7021)		
Filling capacity	Tank code	Weight
		Kg
150	H1GNBI03540	33,2
180	H1GNBI04040	35
200	H1GNBI04540	36,7
225	H1GNBI05040	38,5
250	H1GNBI05540	40,3

STAINLESS STEEL		
Filling capacity	Tank code	Weight
		Kg
150	H1XNBI03540	33,2
180	H1XNBI04040	35
200	H1XNBI04540	36,7
225	H1XNBI05040	38,5
250	H1XNBI05540	40,3



Capacity until oil level indicator		A
		mm
150	135	350
180	155	400
200	175	450
225	195	500
250	215	550

### Mounting kit ordering code :

**135903BILX0**  
**135903BILX3**  
**135903BIRX0**

**Side kit for tank 180-200-225-250 lt**  
**Side kit for tank 150 lt**  
**Rear cab kit**

## Oil/fuel tanks KOMBI I (700x700):

ALLUMINIUM			COATED STEEL (RAL 7021)			
Filing capacity		Tank code	Weight	Filing capacity		Weight
Oil	Fuel			Oil	Fuel	
140 + 200		HFALBI07520	Kg	140 + 200	HFGLBI07520	Kg
150 + 250		HFALBI09020	55,2	140 + 200	HFGLBI09020	67
170 + 300		HFALBI10520	57,8	150 + 250	HFGLBI10520	101,2
200 + 360		HFALBI12520	60,4	170 + 300	HFGLBI10520	104,8
200 + 480		HFALBI15020	63,9	200 + 360	HFGLBI12520	114,7
200 + 580		HFALBI17520	82	200 + 480	HFGLBI15020	140,9
250 + 650		HFALBI20020	86,3	200 + 580	HFGLBI17520	153,3
			90,7	250 + 650	HFGLBI20020	165,7

340 to 560 lt tanks are supplied with fixation kit having 2 brackets included

680 and 900 lt tanks are supplied with fixation kit having 3 brackets included

